

Explore the story of
Suzy's house collection



“FROM CHARACTERS OF SUZY AND SAM IN THEIR CHILDHOOD IN MOONRISE KINGDOM FILM WAS IMPRESSIVE. AFTER THE END OF THE FILM, THEIR LIVES STILL CONTINUED. I BELIEVED THAT. WHEN THEY GREW UP, THEY SURELY DECIDED TO BUILD THEIR OWN HOUSE TOGETHER. EVERY PIECE OF FURNITURE WAS ELABORATELY SELECTED AS WELL.”

Wardrobe Closet & Rack

scale 1:24

Tools & Materials



Your chosen papers



Tweezers



Scissors



Utility knife



Metal ruler



Glue



Toothpicks



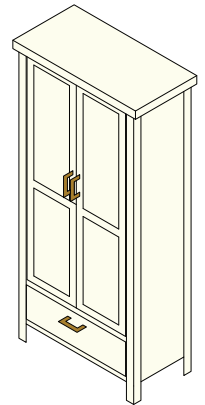
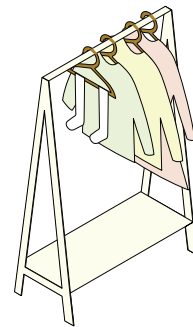
Cutting mat

Tips for Assembly

- Recommended paper weight are 120 - 160 gsm
- Use paper weight more than 160 gsm seem to work better for (A-1), (A-2), (A-3) and (A-4)
- Use the back of your knife to score but you can use other things such as a ruler or an empty ball point pen.
- Fold along the scoring line before gluing.
- Use a toothpick when applying glue.
- Use tweezers when picking up and attaching small parts.
- Please follow the step by step. 1 → 2 → 3 → ...

A

B



Etsy.com/shop/Analogiftland



analogift



analogift



analogift

Copyright © ANALOGIFT© 2020 All right reserved.
It is made for personal use, not for sale or any commercial use.
Please do not copy, distribute or modified.
Email miniatur.journey@gmail.com if you are unsure of usage rights.

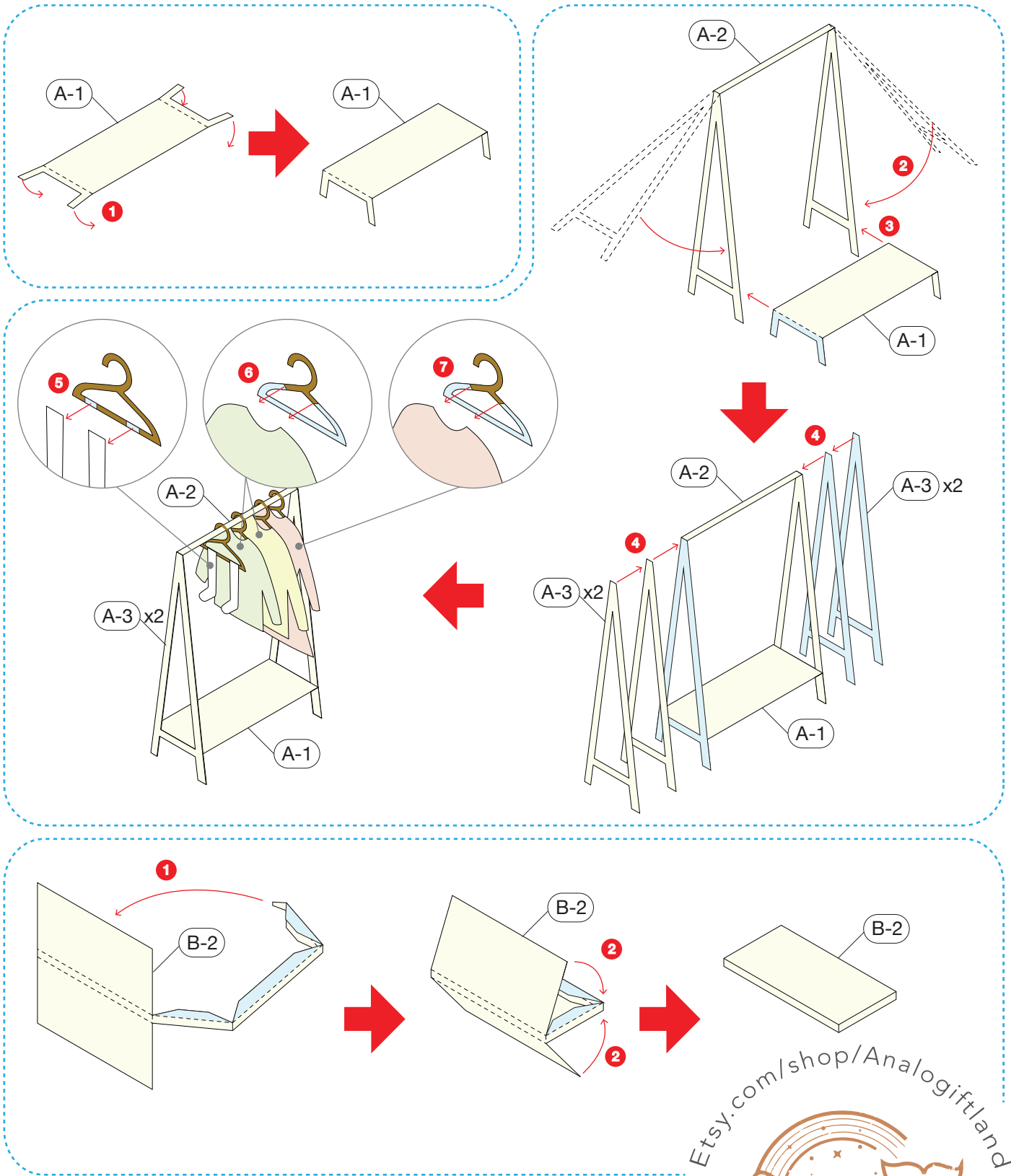
A, **B**

Use a tweezers to fold the small parts before applying the glue.

Apply glue at blue area

— Cut line

----- Score line



[Etsy.com/shop/Analogiftland](https://www.etsy.com/shop/Analogiftland)

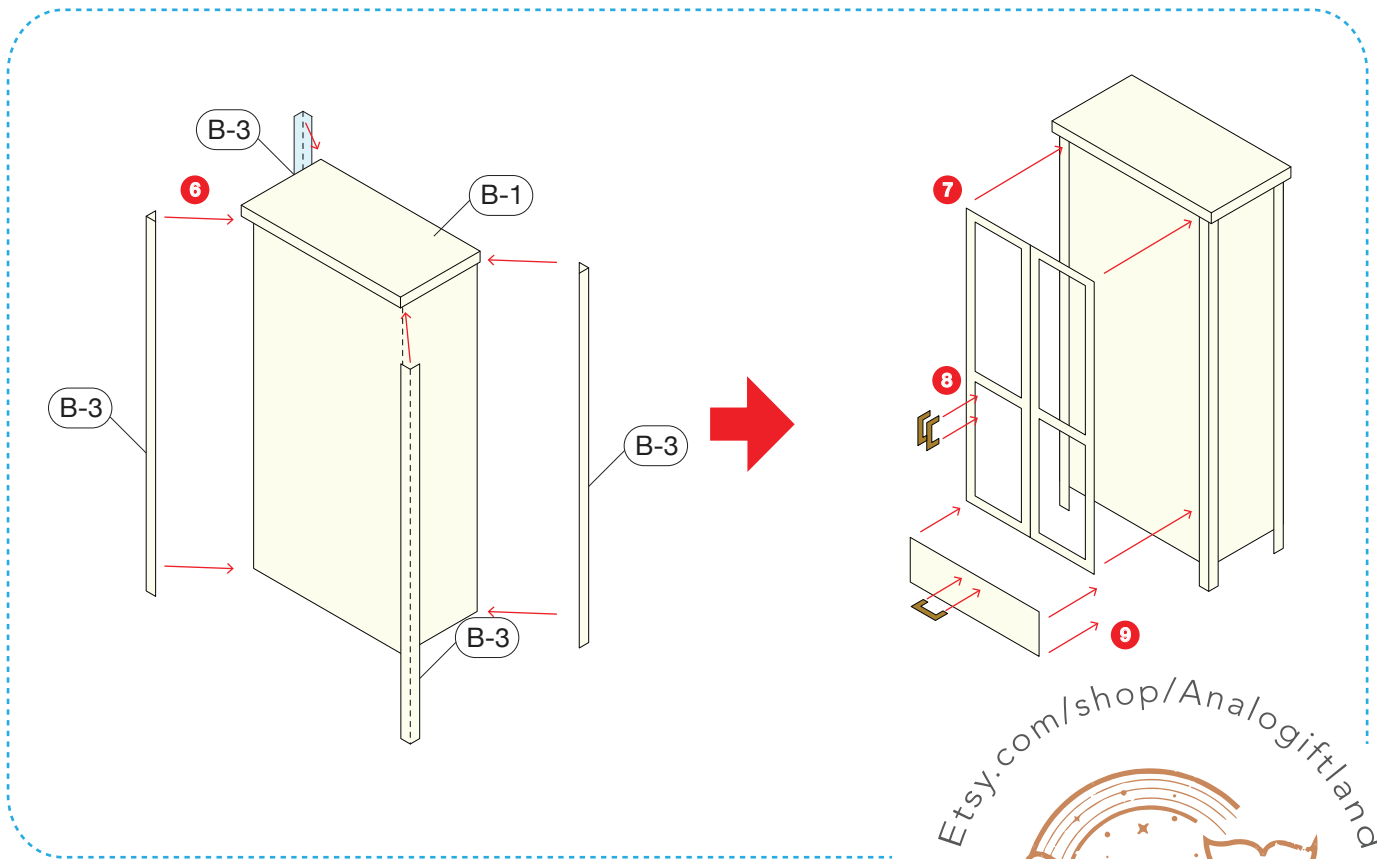
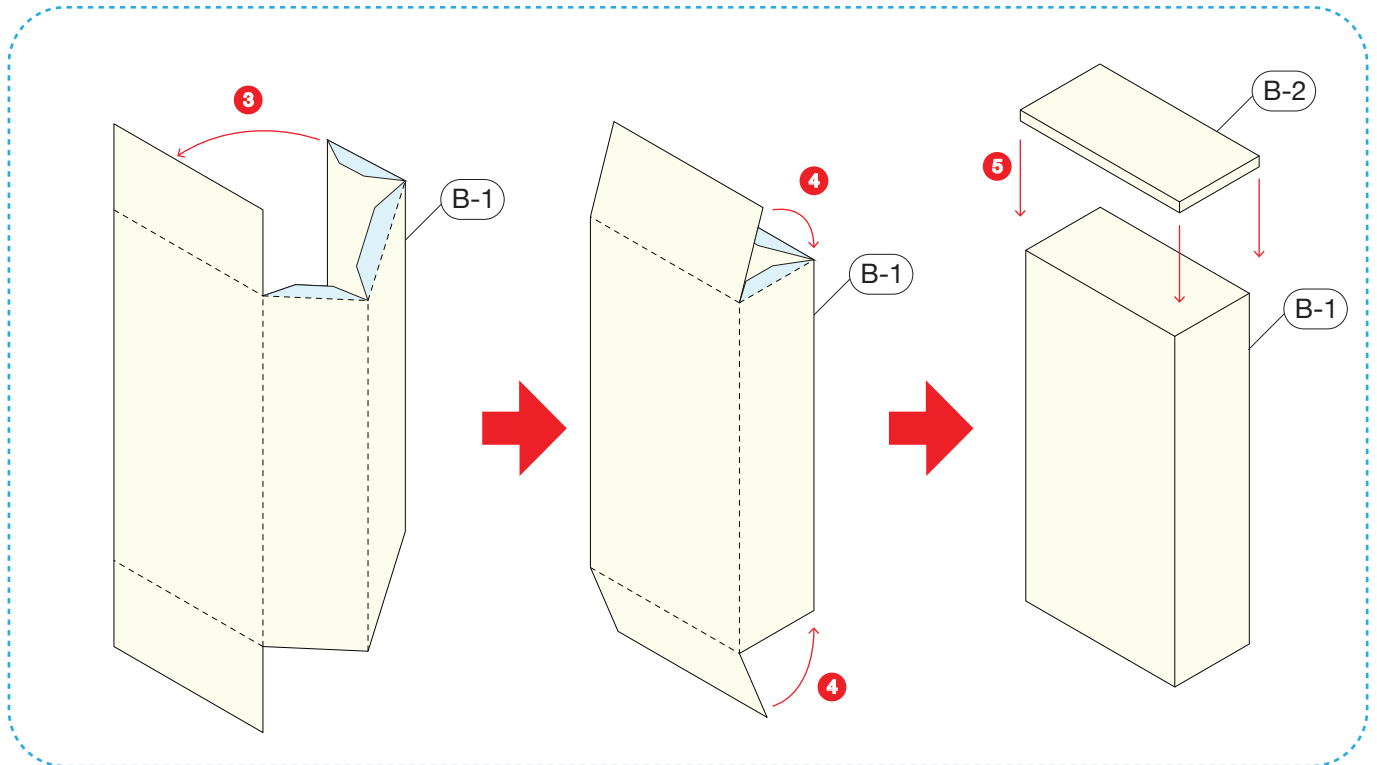


B Use a tweezers to fold the small parts before applying the glue.

■ Apply glue at blue area

— Cut line

----- Score line



[Etsy.com/shop/Analogiftland](https://www.etsy.com/shop/Analogiftland)



Copyright © ANALOGIFT© 2020 All right reserved.
 It is made for personal use, not for sale or any commercial use.
 Please do not copy, distribute or modified.
 Email miniatur.journey@gmail.com if you are unsure of usage rights.